

Fig. 1 Network architecture of the generative module, where activation functions in every convolutional layer are all \tanh , and batch normalization is used.

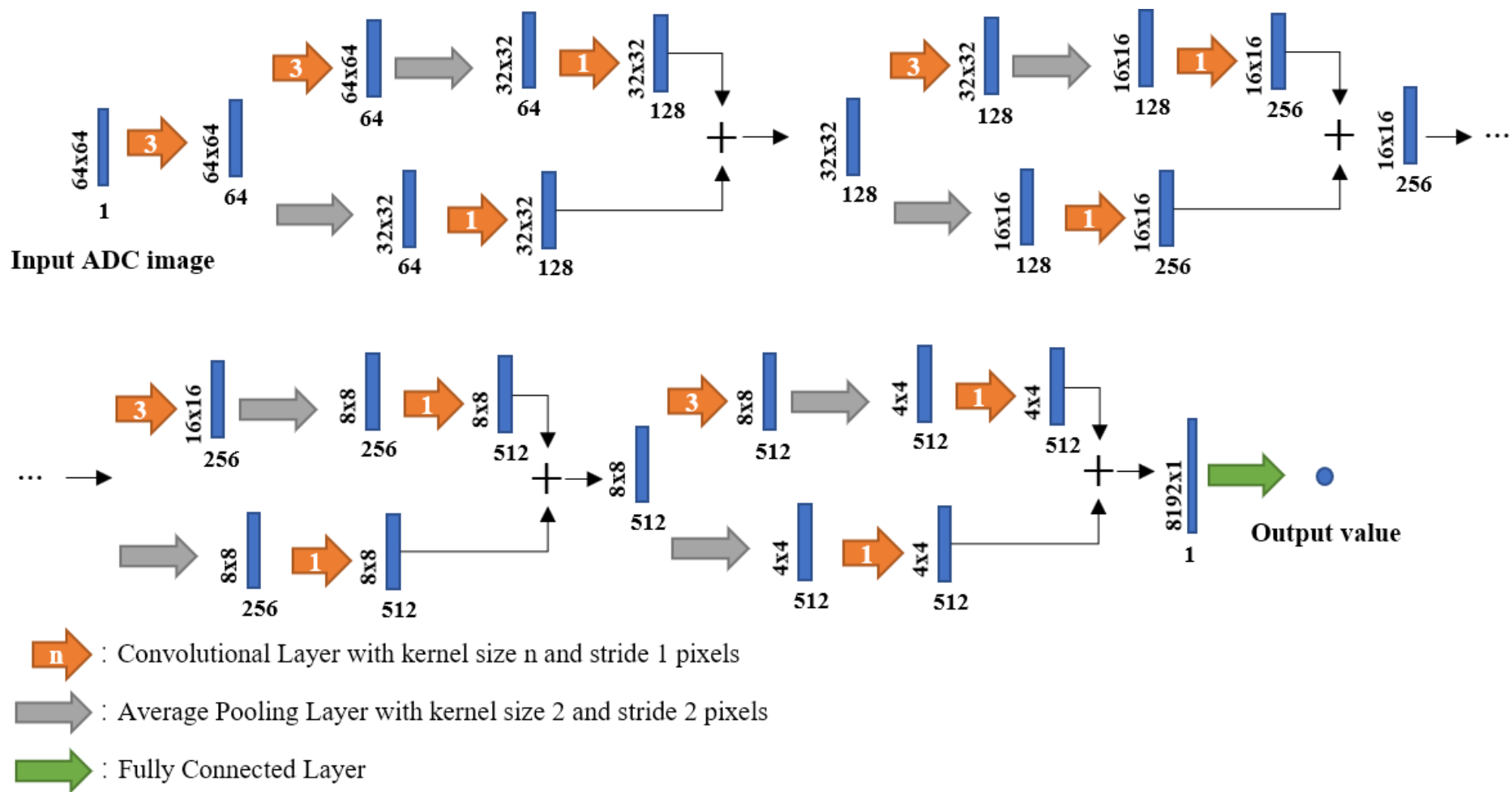


Fig. 2 Network architecture of each critic network in the discriminative module, where activation functions in every convolutional layer are all \tanh , and batch normalization is used.